

Tools Required:

- 7/16” wrench or socket
- 1/2” Wrench or socket
- 5/32” Hex drive, long shaft preferred
- 1/4” Hex Drive
- Phillips Screwdriver
- 7/8” Wrench, or adjustable wrench

Drawer slides are push to open and push to close.

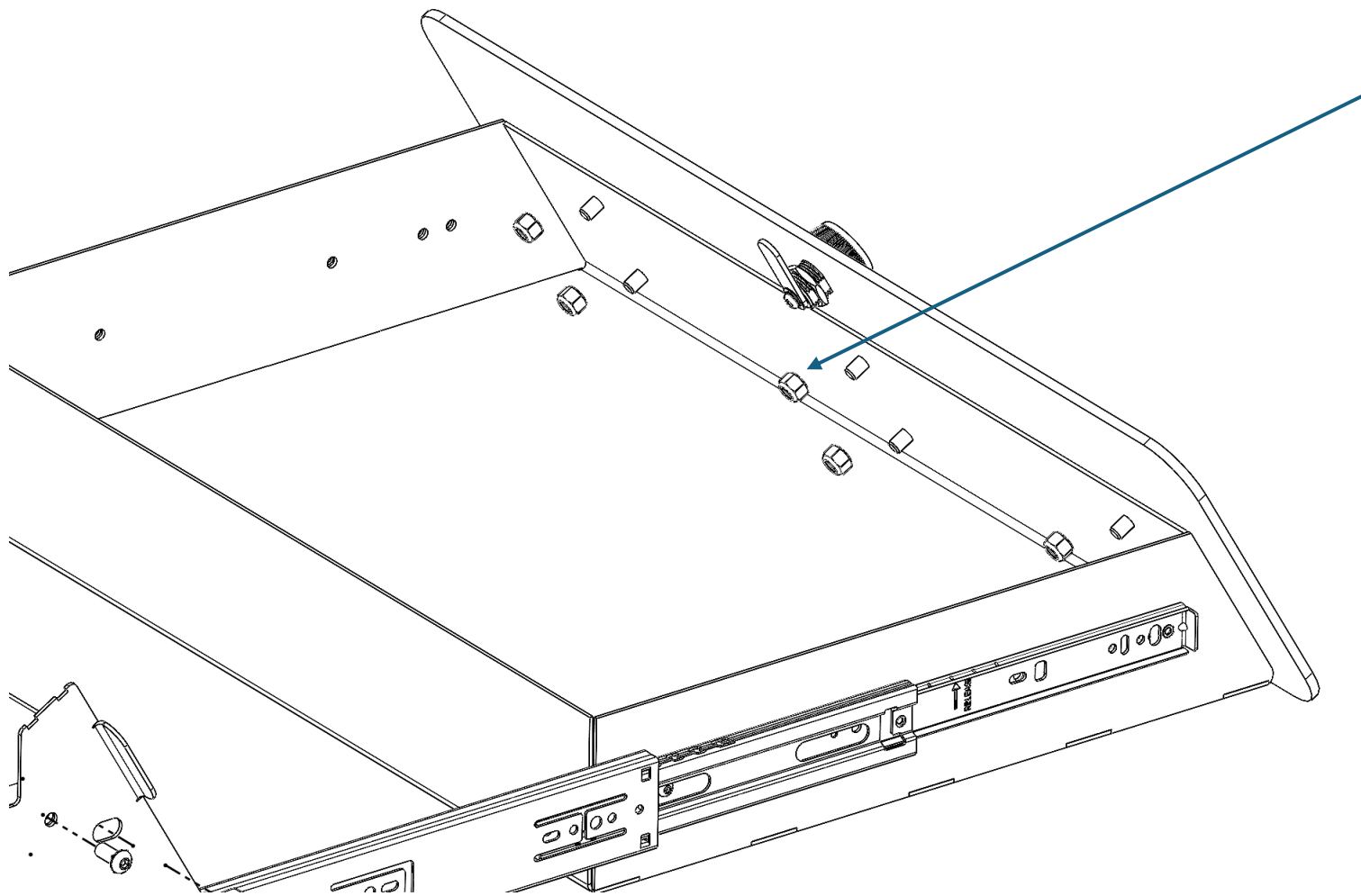
Lock must be installed and locked to prevent drawer opening during transit.

Do not overfill drawer. Contents may become wedged making access to drawer impossible without damage.

Locks are provided with 0-0-0 standard combination.

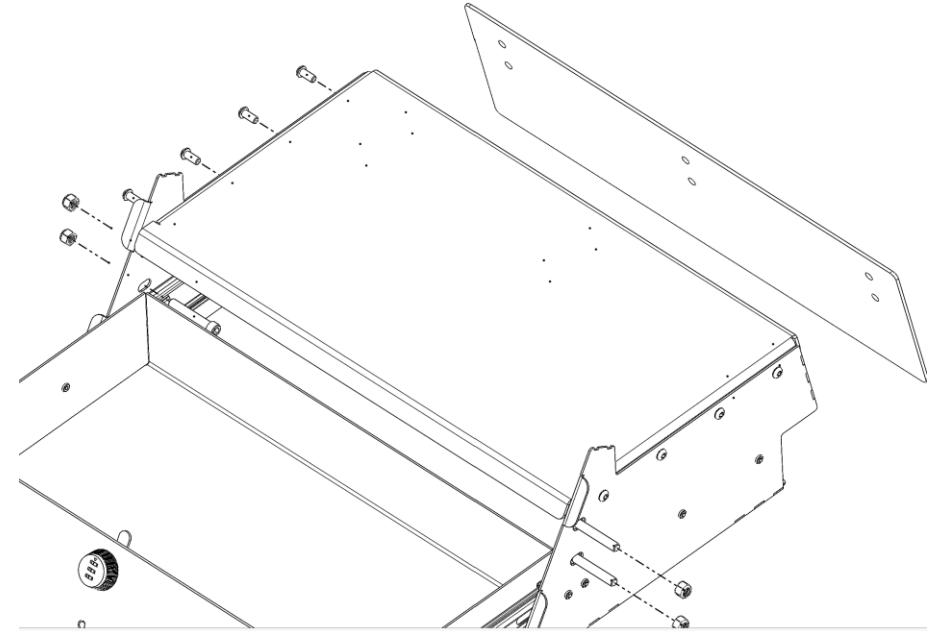
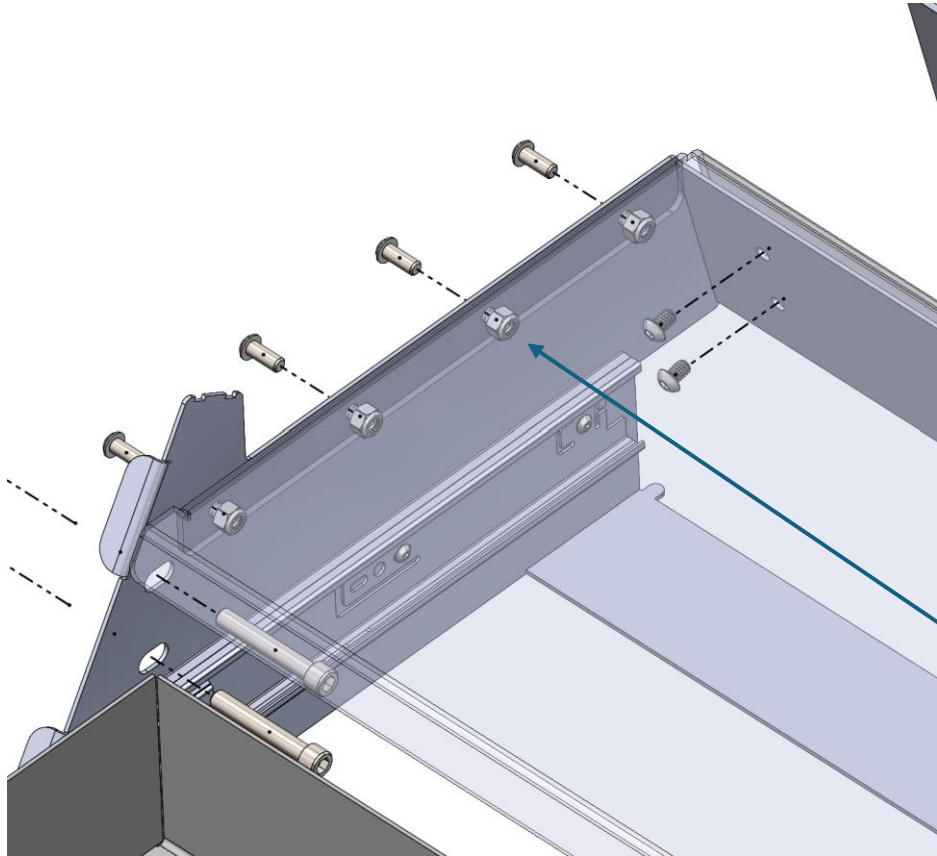
This product has not been tested for FMVSS standards. Knarly Vans LLC will not be responsible for any damage caused to a purchaser or user's vehicle or any vehicle accessories caused by the use of any Knarly Vans products. It is to the sole responsibility of purchaser to inspect and ensure that the intended vehicle and Knarly Vans products are suitable and compatible for travel on road and off road. No seller nor any manufacturer of Knarly Vans products will be liable for any loss, damage or injury directly or indirectly arising from the use of any Knarly Vans products. Before using any Knarly Vans products, the purchaser or user will determine the suitability of the product(s) for their intended use(s) and the purchaser or user shall assume all responsibility and risk in connection therewith.



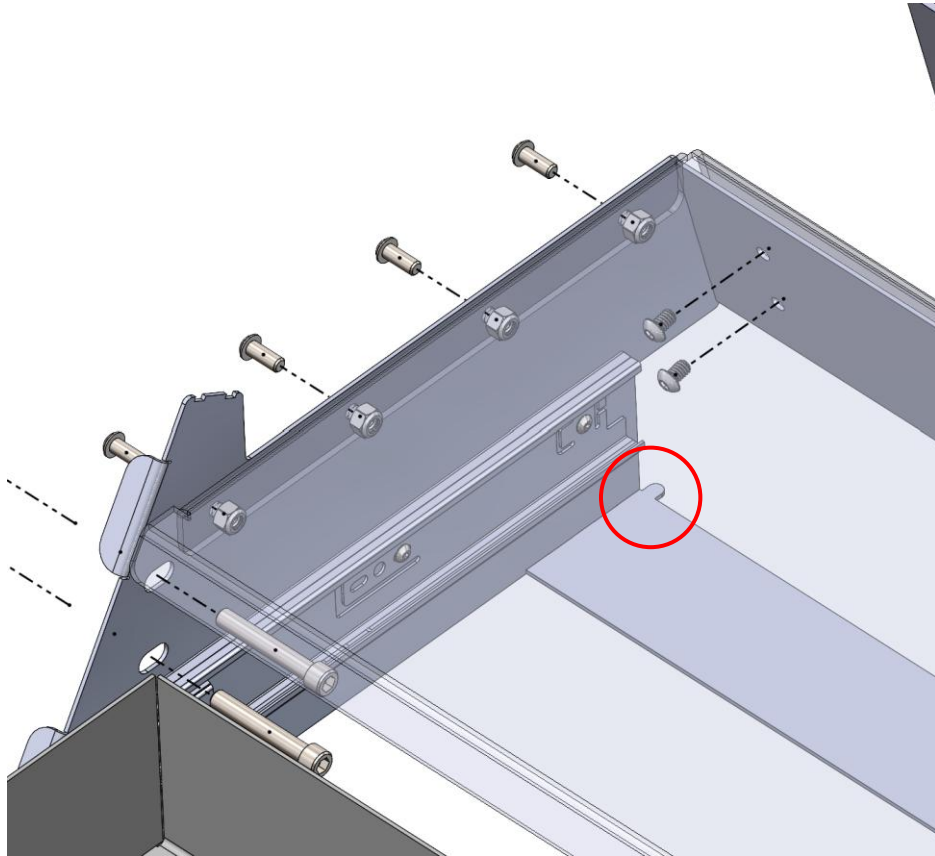


Attach the front plate

1. Using the ¼-20 lock nuts secure them to the front drawer cover studs

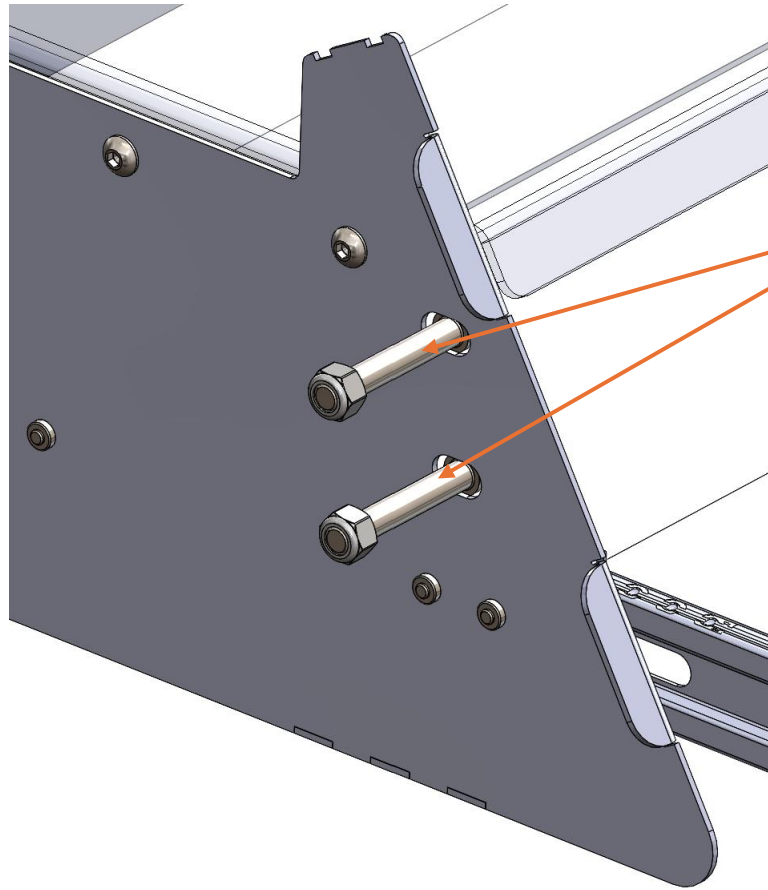


The Aisle drawer has a top cover. Install this with the included qty 8 ¼-20 x 5/8” and ¼-20 lock nuts



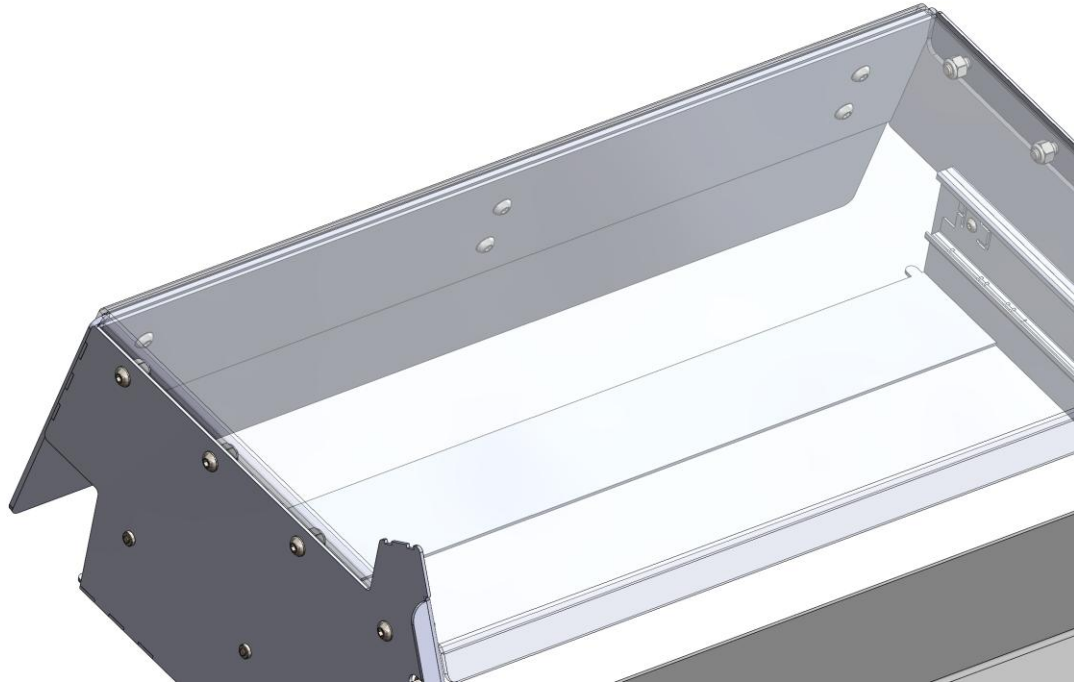
Slide drawer under seat between seat legs.

These rear tabs will sit underneath the foot bracket of your seat leg



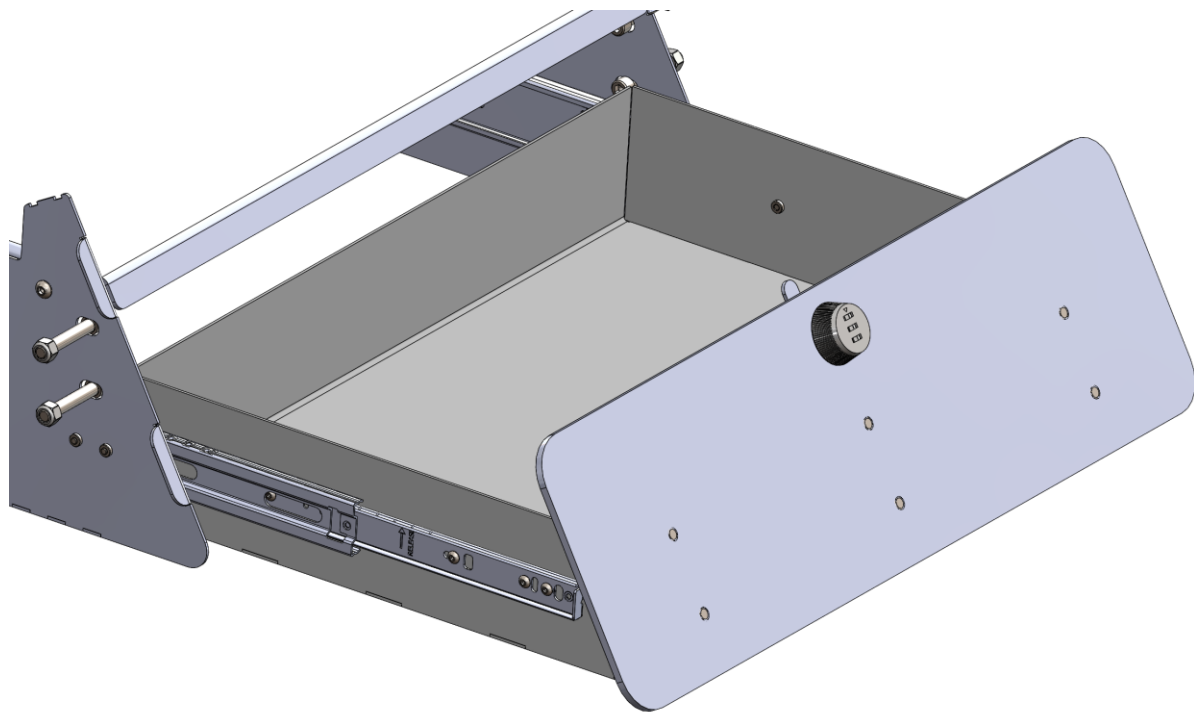
Install the 5/16-18 x 2” screws and lock nuts through the holes on your seat legs. These can be installed either way (nut inside or outside of the drawer). You will use one set to attach two drawers, for instance drivers side and aisle assembly.

Do not overtighten.



Inside the frame, using a long 5/32” hex, screw the back plate on using 1/4-20 x 3/8” screws.

Back plate is optional. It prevents access from rear.



- Insert drawer into slides.